

Dec 07, 2023

Subject: Call for Expression of Interest (EOI)/quotation for the purchase of goods/fabrication job work for the ongoing project activities- reg

Reference: CSIO/MSSA/HCP0057/054A

It is informed that following items are proposed to be purchased /fabricated. Interested parties are requested to **submit quotation** through email/hard copy to the undersigned **within next three days** from the date of publishing of notice.

Items/Goods/Job work required

Sr. No.	Description of the items/Goods/Jobwork	Quantity
1.	Fabrication as per Annexure-I	As per Annexure-I

Terms and Conditions:

Delivery: For CSIR-CSIO, Chandigarh

Lead time/delivery time: 2-4 weeks

Payment: After delivery and successful inspection



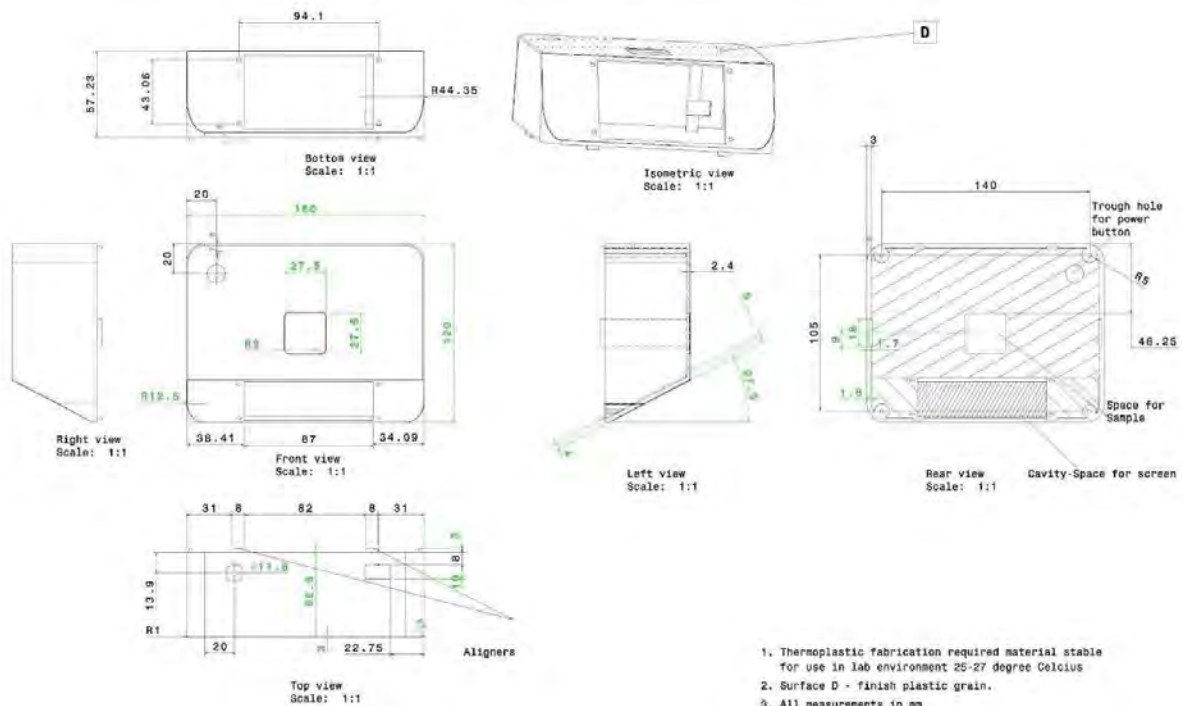
Dr Babankumar S. Bansod
Senior Principal Scientist & Project Leader
9888520252; scientist_babankumar@csio.res.in

HEAD ISD, with a request to display on the CSIO website

Annexure-I

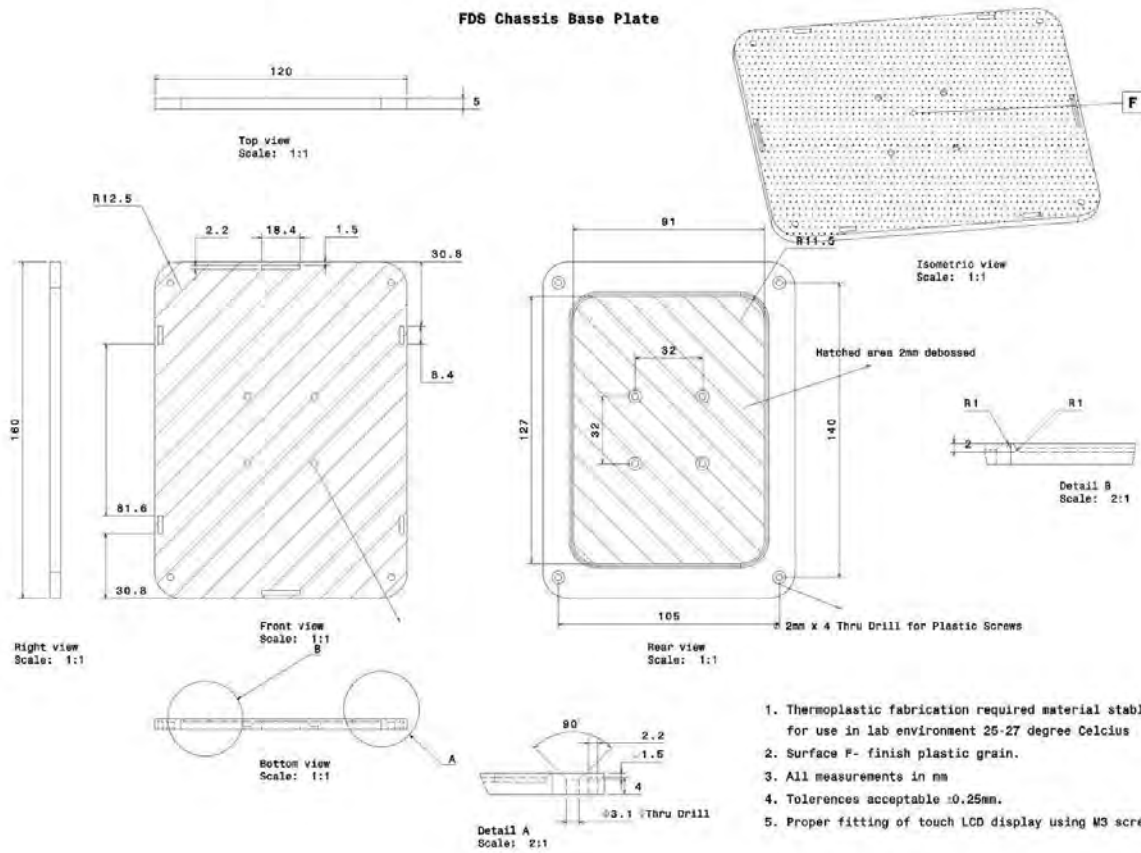
<u>Sr No.</u>	<u>Description</u>	<u>Units</u>
1.	Chassis-A	2
2.	‘A ‘-Sticker work	2
3.	Chassis-B	2
4.	‘B‘-Sticker work	2
5.	Chassis-C	1

Chassis A: - Top



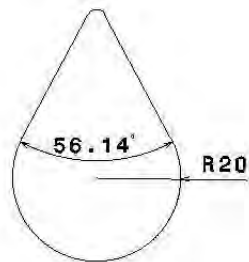
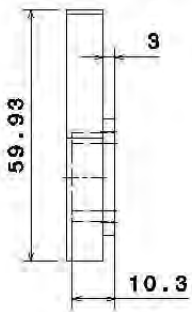
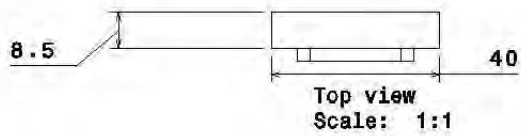
Chassis A : - Base Plate

FDS Chassis Base Plate

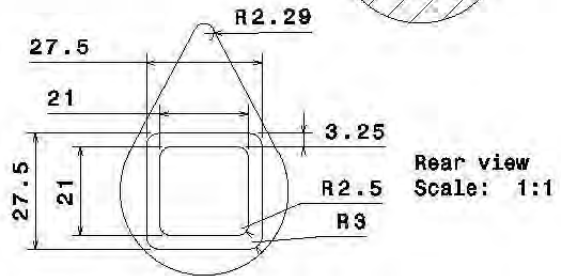
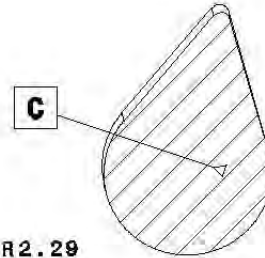


1. Thermoplastic fabrication required material stable for use in lab environment 25-27 degree Celcius
2. Surface F- finish plastic grain.
3. All measurements in mm
4. Tolerences acceptable $\pm 0.25\text{mm}$.
5. Proper fitting of touch LCD display using M3 screws.

Chassis A: Sample Cover Cap

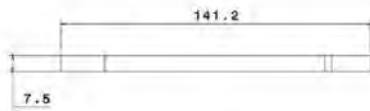


Isometric view
Scale: 1:1

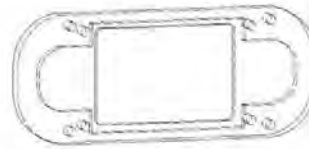


1. Thermoplastic fabrication required material stable for use in lab environment 25-27 degree Celcius
2. Surface C - finish plastike grain.
3. All measurements in mm
4. Tolerences acceptable $\pm 0.25\text{mm}$.
5. Proper fitting of Test sample cuvette .

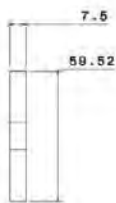
Chassis A: Screen Bracket



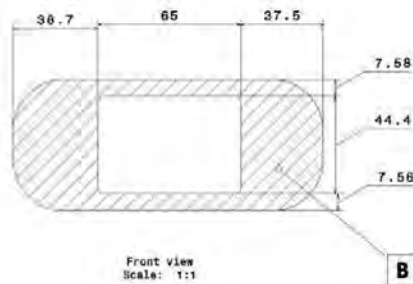
Top view
Scale: 1:1



Isometric view
Scale: 1:1

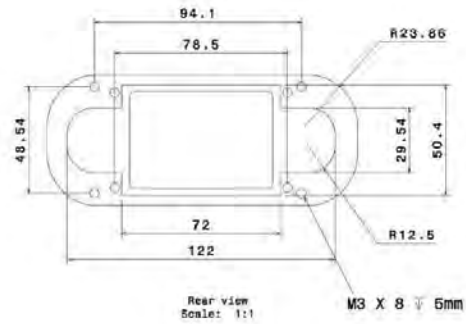


Left view
Scale: 1:1



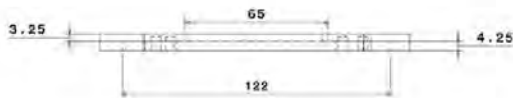
Front view
Scale: 1:1

B



Rear view
Scale: 1:1

M3 X 8 ∇ 5mm



Bottom view
Scale: 1:1

1. Thermoplastic fabrication required material stable for use in lab environment 25-27 degree Celcius
2. Surface B - finish plastike grain.
3. All measurements in mm
4. Tolerences acceptable ± 0.25 mm.
5. Proper fitting of touch LCD display using M3 screws.

Chassis B

Turbidity Device Chassis



Chassis C



Material- Thermo Plastic

Approximate Dimensions - 210 mm x 175 mm x 70 mm

For Laboratory use only

Operating temperature - 0 - 40 degree Celcius

** Above renders are for reference purpose only the final product may differ according to BOM provided by client