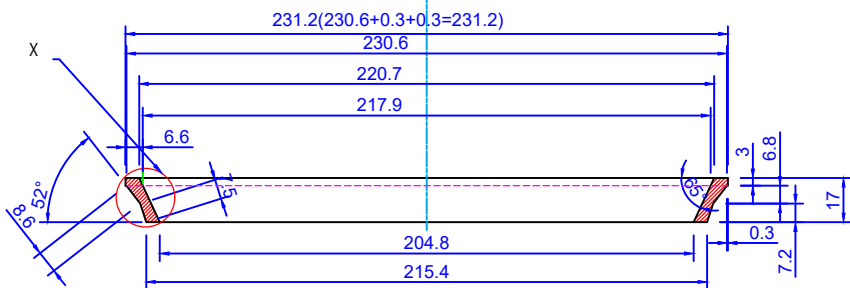
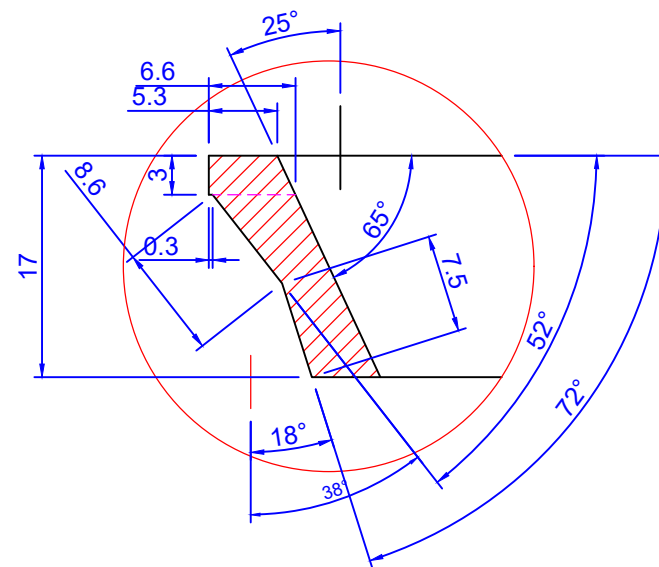


SECTION A-A



SECTION B-B



SCALE 5:1
DETAIL AT X

SILICON RUBBER GASKET
SHORE HARDNESS A 70-80