


Government eProcurement System		Government eProcurement System			
Tender Details					
		Date : 30-Jan-2020 11:56 AM			
		Print			
Basic Details					
Organisation Chain	Council of Scientific and Industrial Research CSIO-Chandigarh - CSIR Purchase-CSIO - CSIR				
Tender Reference Number	CSIO/5(138)/2019-PUR				
Tender ID	2020_CSIR_41628_1				
Tender Type	Single	Form of contract	Supply		
Tender Category	Goods	No. of Covers	1		
General Technical Evaluation Allowed	No	ItemWise Technical Evaluation Allowed	No		
Payment Mode	Not Applicable	Is Multi Currency Allowed For BOQ	No		
Is Multi Currency Allowed For Fee	No	Allow Two Stage Bidding	No		
Cover Details, No. Of Covers - 1					
Cover No	Cover	Document Type	Description		
1	Fee/PreQual/Technical/Finance	.pdf	WATER SHIELDED GEOPHONE ARRAY AS PER NIT DOCUMENT		
		.xls	WATER SHIELDED GEOPHONE ARRAY AS PER NIT DOCUMENT		
Tender Fee Details, [Total Fee in ₹ * - 0.00]				EMD Fee Details	
Tender Fee in ₹	0.00	Fee Payable To	Nil	Fee Payable At	Nil
Tender Fee Exemption Allowed	No	EMD Amount in ₹	0.00	EMD through BG/ST or EMD Exemption Allowed	No
		EMD Fee Type	fixed	EMD Percentage	NA
		EMD Payable To	Nil	EMD Payable At	Nil
Work /Item(s)					
Title	CSIO/5(138)/2019-PUR				
Work Description	WATER SHIELDED GEOPHONE ARRAY AS PER NIT DOCUMENT				
Pre Qualification Details	Please refer Tender documents.				
Independent External Monitor/Remarks	NA				
Show Tender Value in Public Domain	Yes				
Tender Value in ₹	0.00	Product Category	Electronic Components And Devices	Sub category	NA
Contract Type	Tender	Bid Validity(Days)	90	Period Of Work (Days)	45
Location	CHANDIGARH	Pincode	160030	Pre Bid Meeting Place	NA
	NA	Pre Bid Meeting Date	NA	Bid Opening Place	

Pre Bid Meeting Address				PURCHASE SECTION
Should Allow NDA Tender	No	Allow Preferential Bidder	No	

Critical Dates

Publish Date	30-Jan-2020 12:00 PM	Bid Opening Date	12-Feb-2020 03:30 PM
Document Download / Sale Start Date	30-Jan-2020 12:00 PM	Document Download / Sale End Date	11-Feb-2020 03:00 PM
Clarification Start Date	30-Jan-2020 12:00 PM	Clarification End Date	10-Feb-2020 05:00 PM
Bid Submission Start Date	30-Jan-2020 12:00 PM	Bid Submission End Date	11-Feb-2020 03:00 PM

Tender Documents

NIT Document	S.No	Document Name	Description	Document Size (in KB)
	1	Tendernotice_1.pdf	WATER SHIELDED GEOPHONE ARRAY AS PER NIT DOCUMENT	3708.70

Work Item Documents	S.No	Document Type	Document Name	Description	Document Size (in KB)
	1	BOQ	BOQ_44736.xls	WATER SHIELDED GEOPHONE ARRAY AS PER NIT DOCUMENT	281.50

Single Bidders List

S.No.	Bidder Name	Bidder Login Id
1.	HGS (INDIA) LIMITED	sales@hgsindia.com

Bid Openers List

S.No	Bid Opener Login Id	Bid Opener Name	Certificate Name
1.	bhatnagar.eproc@csir.res.in	Brijender Bhatnagar	BRIJENDER KUMAR BHATNAGAR
2.	madan.eproc@csir.res.in	Madan Sharma	MADAN SHARMA
3.	ramesh.eproc@csir.res.in	Ramesh Kumar	RAMESH KUMAR
4.	satya.eproc@csir.res.in	Satya Prakash Prabhakar	SATYA PRAKASH PRABHAKAR

Tender Inviting Authority

Name	STORES AND PURCHASE OFFICER
Address	CSIR-CSIO, SECTOR-30, CHANDIGARH

Tender Creator Details

Created By	Brijender Bhatnagar
Designation	SO
Created Date	30-Jan-2020 11:51 AM



स्पीड पोस्ट/पंजीकृत डाक

सीईएसआईआर - केन्द्रीय वैज्ञानिक उपकरण संगठन
CSIR-Central Scientific Instruments Organisation
सैक्टर 30 सी चंडीगढ़ Sector-30C, Chandigarh 160 030

निविदा संख्या / Tender No.	CSIO/5(138)/2019-Pur	दिनांक / Issue Date:	29-01-2020
निविदा प्राप्ति का अंतिम समय एवं दिनांक / Date & time of receipt of tender	11-02-2020, 3.00 P.M. तक।	निविदा खोलने का समय एवं दिनांक / Date & time of opening of Tender	12-02-2020, 3.30 P.M.

Single Tender

महोदय,

हम निम्नानुसार उपस्कर/सामग्री खरीदने के इच्छुक हैं। कृपया अपनी कोटेशन निदेशक, सी.एस.आई.ओ. के नाम ई-टेंडर द्वारा भेजें। जिसे निर्धारित समय पर आपूर्तिकर्ताओं के प्रतिनिधियों (जो भी सवेच्छा से उपस्थित हों) के समक्ष खोला जाएगा।

We are interest to purchase the below given/attached items. Kindly send your Tender/Quotation/Proforma Invoice through E-Tender mode only. Tenders/quotation will be opened in the presence of supplier's representatives who wish to present themselves at that time.

क्र. सं.	सामग्री का विवरण	मात्रा	बिड टाईप
1.	Waterproof Shielded Geophone Array Detailed Specifications as per attached Annexure – "1-R"	As per attached Annexure-1-R	Single Bid

Tender has been issued on www.etenders.gov.in. Prospective bidders are requested to registered themselves at www.etenders.gov.in for future also and have to quote through E-Tender mode only. (No hard copy will be entertained) for Financial bid please fill BOQ.

भवदीय (Regards)

एस. पी. प्रभाकर (S.P. Prabhakar)
भण्डार एवं क्रय अधिकारी (Stores and Purchase Officer)
For & on behalf of CSIR-CSIO

वेबसाईट: www.csio.res.in ई-मेल: cosp@csio.res.in, spo@csio.res.in फोन: 91-172-2652651, 91-172-2672212, 429

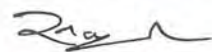
TERMS & CONDITIONS

1. The quotation/tender must be in the form furnished by the Purchaser/as per tender specifications and should be free from corrections/erasures. In case there is any unavoidable correction it should be properly attested. If not the quotation will not be considered. **Hand written Quotations will not be considered.**
 - (a) Where there is no mention of packing, forwarding, freight, insurance charges, taxes etc. **such offer shall be rejected as incomplete. As such clearly mention these charges.**
 - (b) The bidder should give a clear cut break up of ex-works, FOB/FCA, CIF/CIP price to facilitate the proper comparison **failing which the bid would be summarily ignored/rejected.** CSIR reserves the right to order on the basis of any of the incoterms. The Exchange selling rates will be taken from www.xe.com.
 - (c) The gross weight of the consignment may be intimated in the Quotation/Tender/Proforma Invoice to decide the mode of dispatch.
2. **The E-Tenders will be accepted through online only. The tender received in any other mode or physical tender will not be accepted and will be ignored. This is not applicable for E-Publish Tender Notice.**
3. It may kindly be noted that your bid should
 - A) Be in **single part. (single part / two part bidding) (retain one only)**
 - B) Accompany Bid Security (EMD)/5F (Annexure) of Rs. (retain only if applicable)
 - C) on the event of award of Contract in your favour, you need to submit a Performance Bank Guarantee for 10% of order value valid for a period of 2 Months beyond the Warranty period of..... (retain only, if applicable)
4. Each quotation/Tender in case of E-Publish Tender sent by post is to be enclosed in double cover addressed to **The Director, CSIO, Sector-30, Chandigarh-160 030.** Quotations delivered personally should be put in the tender box kept in the office of Stores & Purchase Officer. The late/delayed and unsigned quote will not be considered at all.
5. The acceptance of the quotation will rest with the competent authority of **Central Scientific Instruments Organization, Sector-30, Chandigarh** who does not bind himself to accept the lowest quotation and reserves the right to himself to reject, or partially accept any or all the quotations received without assigning any reason.
6. **Price & Validity:** Price quoted should be net (separately mention required charges as Sr.No. 1(a,b) above) and valid for a minimum period of **90 days** from the date of opening of the quotation, **failing which the offer will be ignored/rejected.**
7. The bidder must submit the applicable Price Schedule Form as Annexed to the tender document available on the website.
8. Complete specification with manufacturer's name and address should be given while quoting. Literature/Pamphlets should also be enclosed wherever applicable.
9. Prices are required to be quoted in units indicated in the enquiry. When quotations are given in terms of other units, relationship between two sets of units should be furnished. Quantity discounts, if any should also be indicated. The items should be quoted indicating the serial No. of our RFQ.
10. In cases of agents quoting on behalf of their foreign manufacturers, one agent cannot represent two manufacturers or quote on their behalf in a particular tender enquiry. **One manufacturer can also authorize only one agent/dealer.** There can be only one bid from the following:
 1. The foreign manufacturer directly or through one Indian agent on his behalf; or
 2. Indian/foreign agent on behalf of only one principal.
11. Please indicate the name and address of the agents in India if any, the details of service to be rendered by them & the percentage of commission payable to them. Agency commission payable to the Indian Agent should be clearly indicated. The Agency commission would be payable only in Indian Rupees after acceptance. Further an Indian Agent cannot quote on behalf of two different foreign suppliers. If they submit two offers on behalf of two different foreign suppliers, **their offers may not be considered. If the offer is submitted by the Authorised Dealer/Agent/Distributors, it should be along with Authorization Certificate, failing which the offer will be ignored/rejected.** The offer submitted through authorization on behalf of the principal, the terms & conditions settled by the Agent with buyer will be binding on their principal.
12. **Taxes as are applicable should be indicated clearly failing which the offer shall not be considered and rejected.** This lab/Instt is registered with Dept. of Scientific & Industrial Research, Govt. of India and concessional customs duty and GST & IGST are leviable vide notification no. Custom Duty under Govt. Notification No. 51/96-Custom dated 23.07.1996 and No. 43/2007-Customs dated 30.06.2017 and Govt. Notification No. 45/2017-Central Tax (rate) & No. 45/2017-Integrated Tax (rate) dated 14.11.2017. Only basic duty is applicable under this notification, hence bidders will have to submit their offer accordingly. We are exempted from payment of Customs Duty under notification No.51/96 dated 23.07.1996. Hence IGST and Customs Duty, if any, should be shown separately. No other charges than those mentioned clearly in the quotation will be paid
13. The mode of dispatch/transportation of the items must be by **Air/Sea/Rail/Road only. (Retain one only).**
14. In case the items in the enquiry are covered by any rate contract or running contract finalised by any other state or central Government, it should be specified in your quotation and accepted contract rates should also be mentioned.
15. **Delivery period** required for supplying the material should be invariably specified in the quotation. The offered delivery period shall have to be strictly adhered to in case an order is placed.

Continue on next page.....

16. **Liquidated Damages Clause for delays:** The applicable rate is 0.5% per week and maximum deduction is 10% of the contract price.
17. If the deliveries are not maintained and due to that account the purchaser is forced to buy the material at your risk and cost from elsewhere, the loss or damage that may be sustained there by will be recovered from the defaulting supplier.
18. All supplies are subject to inspection and approval before acceptance. Manufacturer warranty certificates and manufacturer/Government approved lab test certificate shall be furnished along with the supply, wherever applicable. Please mention the warranty period of equipment, which should be from the date of satisfactory installation. **The offer received for lesser warranty, as asked for in the tender, will be rejected/ignored.**
19. TDS would be recovered as per rules in case of Fabrication/ Servicing/ Maintenance jobs/Installation charges etc.
20. Kindly furnish your PAN & GST Number etc. in your quotation for our records. Our GST No. is 04AAATC2716R1ZN
21. Our normal payment terms are 100% (hundred percent) within 30 (thirty) days on receipt and acceptance of material at our site in good condition. Please inform your Bank details for RTGS payment. Banking details should be available on Bill/invoice.
22. **Reasonability of Prices/Fall Clause**
 - i) Please quote best minimum prices applicable for a premiere Research Institution, leaving no scope for any further negotiations on prices.
 - ii) The quoting party should give a certificate to the effect that the quoted prices are the minimum and they have not quoted the same item on lesser rates than those being offered to CSIO to any other customer nor they will do so till the validity of offer or execution of the purchase order, whichever is later.
 - iii) Copies of at least two recently supplied orders of the last two years received from other customers along with details of such supply orders preferably in India for the same item/model may be submitted with the offer giving reasons of price difference of their supply order & those quoted to us, if any. The party must give details of identical or similar equipment, if any, supplied to any CSIR lab during the last three years along with the final price paid and Performance certificate from them.
23. **Installation/commissioning:** Equipment/Instruments are required to be commissioned/installed/demonstrated successfully immediately or within 30 days from the date of receipt of the system in CSIO by the Principal or by their authorized Agent, **failing which the Liquidated Damage Clause will be applicable as mentioned above.**
24. Certificate of undertaking that the equipment is of latest technology & will not be obsolete within 5 years after warranty will be attached with the offer. All essential spares parts of the offered equipment will available with the manufacturer or in India with your Indian Agents for a period of at least 5-7 years after warranty period which will be required at later stage
25. MSME benefits will be given to the eligible supplier as per the Govt. guidelines subject to submission of proper document as per policy or Udyog Adhar Udyog Memorandum in respective category
26. Code of Integrity has to be maintained by Bidders/Suppliers/Contractors by maintaining highest standards of ethics in the Procurement process and prohibits corrupt practice/Fraudulent practice/Anti- Competitive practice / Coercive Practice/ Conflict of Interest and Obstructive practice either directly or indirectly during the process of contract.
27. All disputes shall be settled in the courts of **Chandigarh Jurisdiction** only.
28. Tender conditions (printed on the reverse), if any, or otherwise sent along with the tender shall not be binding on us.
29. All the above instructions and our standard terms and conditions must be complied failing which your offer may be liable for rejection.
30. As per Govt. of India procurement policies (under Make in India (MII))
 - a. The purchaser intends to give purchase preference to local suppliers* in case the cost of procurement is in the range of more than Rs 5.00 lakhs and up to Rs. 50.00 lakhs.
 - b. The eligibility of the supplier is restricted to Indian Suppliers or there is no restriction on the eligibility of the suppliers. **(retain any one only)**
 - c. The procuring entity intends to give purchase preference to products/goods manufactured by micro, small and medium enterprises.
- ***Local supplier** means a supplier or service provider whose product or service offered for procurement meets the minimum local content as prescribed in DIPP Order No.P-45021/2/2017-PP (BE-II) dated 28th May, 2018 or by the competent Ministries/Departments in pursuance of this order.
- 'Local content' means the amount of value added in India which shall, unless otherwise prescribed by the Nodal Ministry, be the total value of the items procured (excluding net domestic indirect taxes) minus the value of imported content in the item (including all customs duties) as a proportion of the total value, in percent.
31. Instructions to Bidders, General Conditions of Contract applicable to limited tenders originating from S&P Division along with different formats can be viewed on our website www.csio.res.in under the heading tenders.

Yours faithfully,



SPO
For & on behalf of CSIR-CSIO.

Bid-Securing Declaration Form*(Refer para 5.1.2 (ix)(d) & 6.1.1 (02) of the CSIR Manual)*

Date: _____

Bid No. _____

To

Director,
CSIR-CSIO,
Sector-30, Chandigarh.

I/We. The undersigned, declare that:

I/We understand that, according to your conditions, bids must be supported by a Bid Securing Declaration.

I/We accept that I/We may be disqualified from bidding for any contract with you for a period of one year from the date of notification if I am /We are in a breach of any obligation under the bid conditions, because I/We

have withdrawn/modified/amended, impairs or derogates from the tender, my/our Bid during the period of bid validity specified in the form of Bid; or

having been notified of the acceptance of our Bid by the purchaser during the period of bid validity (i) fail or reuse to execute the contract, if required, or (ii) fail or refuse to furnish the Performance Security, in accordance with the Instructions to Bidders.

I/We understand this Bid Securing Declaration shall cease to be valid if I am/we are not the successful Bidder, upon the earlier of (i) the receipt of your notification of the name of the successful Bidder; or (ii) thirty days after the expiration of the validity of my/our Bid.

Signed: (insert signature of person whose name and capacity are shown) in the capacity of (insert legal capacity of person signing the Bid Securing Declaration).

Name: (insert complete name of person signing the Bid Securing Declaration)

Duly authorized to sign the bid for an on behalf of : (insert complete name of Bidder)

Dated on _____ day of _____ (insert date of signing)

Corporate Seal (where appropriate)

(Note: In case of a Joint Venture, the Bid Securing Declaration must be in the name of all partners to the Joint Venture that submits the bid)

Waterproof Shielded Geophone Array Specification

Sl. No	Parameter	Quantity
1.	Waterproof shielded geophone array as per specification and Figure1 and Figure 2 drawing below <ul style="list-style-type: none"> Natural Frequency of Vertical Geophone element -10 Hz Sensitivity of Geophone element - More than 78 V/m/s Four number of geophones with 25M interval and 1M shielded drop wire One twisted pair for communication Complete shielded cables Over moulded array for waterproofing 	Four
2.	Four pair core shielded cable for extension of the array – 150M with suitable connector at one end and other end unterminated as given in Figure 3.	One

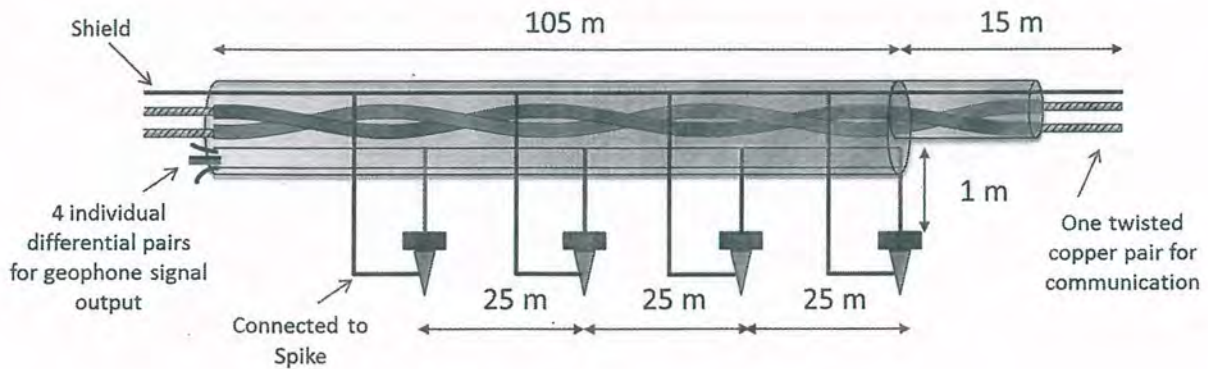


Figure 1. Geophone array

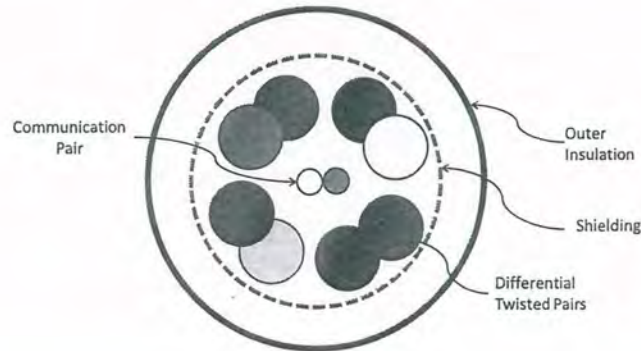


Figure 2. Cross-sectional diagram of the geophone array

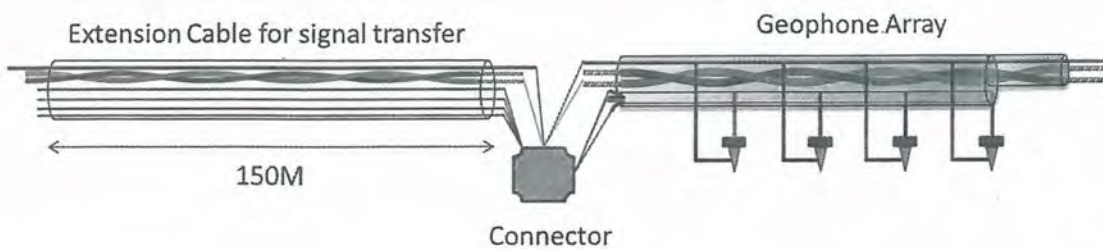


Figure 3. Extension cable 150M for signal transfer



