

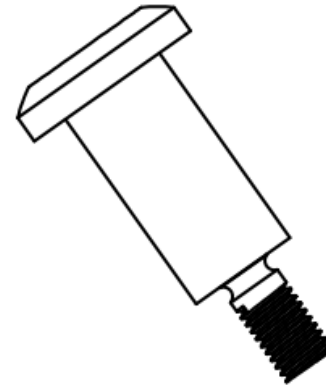
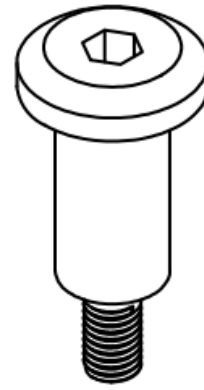
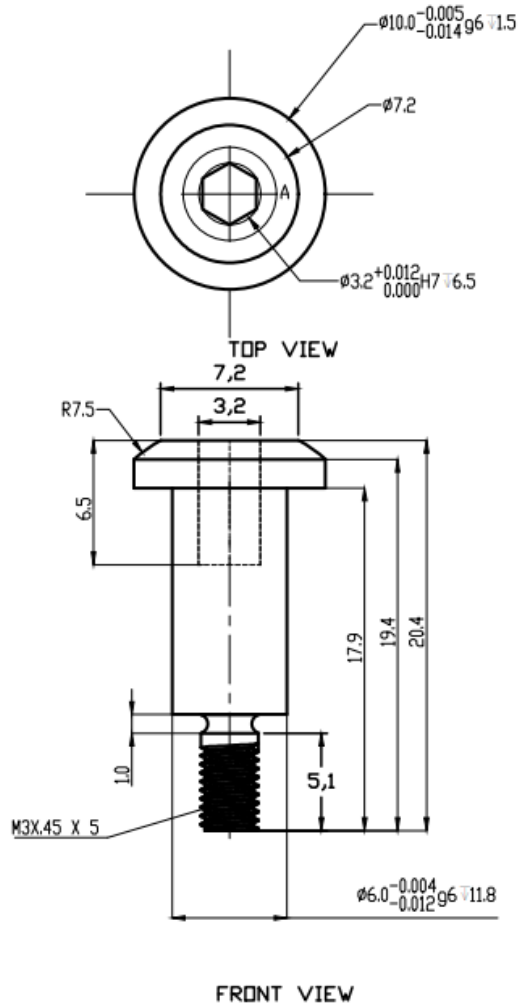
## **FABRICATIO OF COMPONENTS**

**MDF/01/0403/24**

1. THE ORDER SHOULD NOT BE PREFERABLY SPLITTED. THE COMPREHENSIVE QUOTE CONSIDERING FABRICATION/FITMENT OF ALL COMPONENTS, FOR CSIO WILL BE CONSIDERED.
2. THE QUOTES SHOULD BE GIVEN CONSIDERING MATERIAL.
  - 2 A. THE REQUIRED QUANTITY IS ATTACHED.
3. THE PRICE SHOULD BE INCLUDING EX-CSIO DELIVERY.
4. THE VALID COC/INSPECTION REPORT SHOULD BE SHARED.
5. PAYMENT AND OTHER THINGS AS PER CSIO NORMS
6. PL MAIL AT, [harry.garg@csio.res.in](mailto:harry.garg@csio.res.in)
7. QUOTE TIME 3 DAYS FROM DATE OF TENDER.
8. THE DETAILS OF USER WILL NOT BE SHARED.

MECHANICAL PART-6 (st steel-304)

IF IN DOUBT ASK



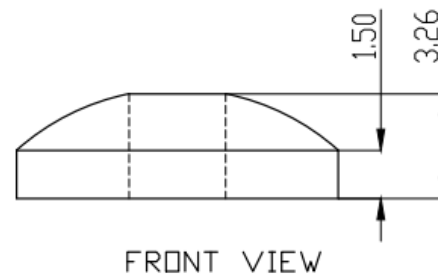
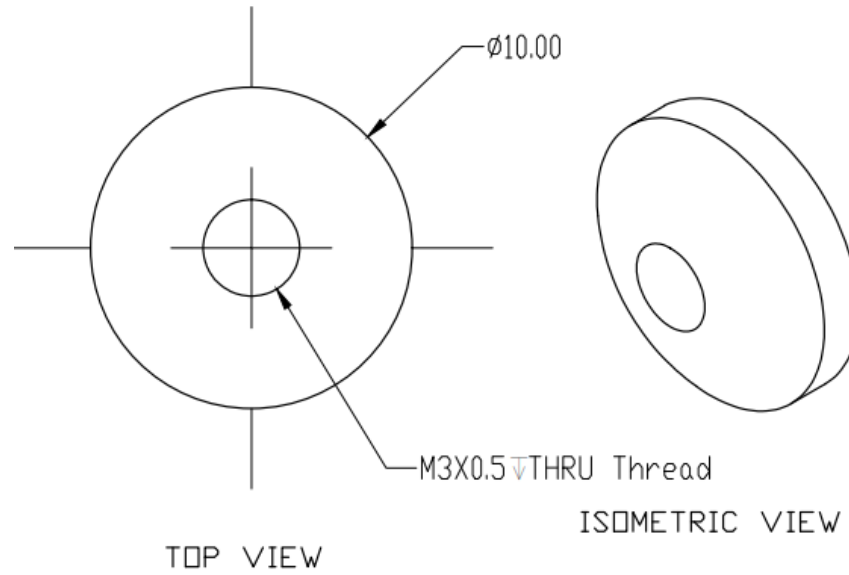
ISOMETRIC VIEW

- NOTE:**
- 1) FOLLOW IGS/STEP FILE FOR ANY MISSING DIMENSION.
  - 2) DULL BLACK SURFACE
  - 3)  $\pm .02$  TOLERANCE ACCEPTED.
  - 4) PART WILL BE ACCEPTED AFTER INSPECTION.

\*(CRITICAL FOR INSTALLATION PURPOSE)

MECHANICAL PART-7 (st steel 304)

IF IN DOUBT FOR

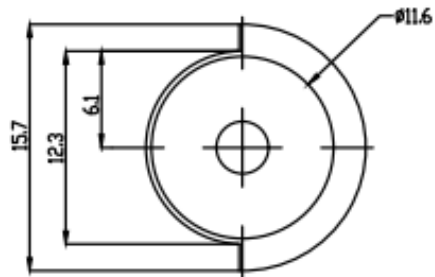


NOTE:

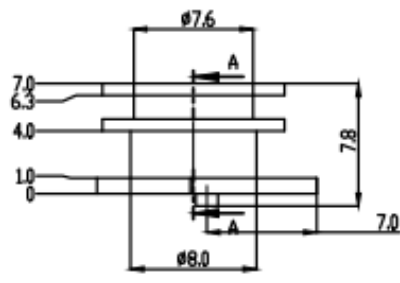
- 1) FOLLOW igs/STEP FILE FOR ANY MISSING DIMENSION.
- 2) DULL BLACK SURFACE.
- 3) THREAD AREA REMAINS CHROMETISED
- 4)  $\pm .02$  TOLERANCE ACCEPTED.
- 5) PART WILL BE ACCEPTED AFTER INSPECTION.

\*(CRITICAL FOR INSTALLATION PURPOSE)

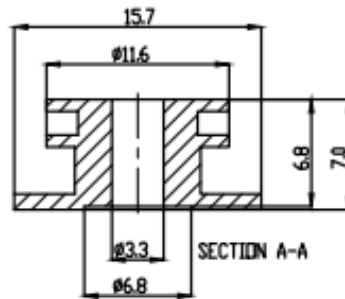
MECHANICAL PART-8 (st steel 304)



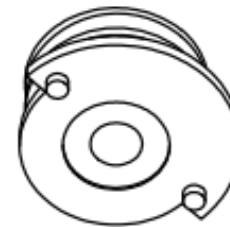
TOP VIEW



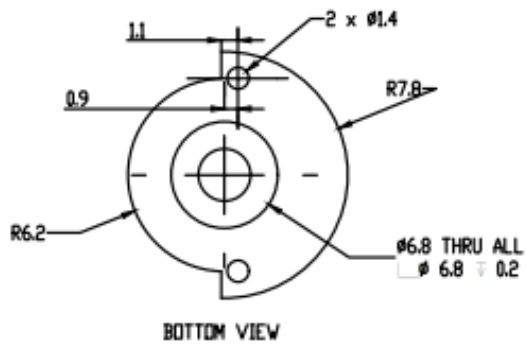
FRONT VIEW



SECTION A-A



ISOMETRIC VIEW



BOTTOM VIEW

Ø6.8 THRU ALL  
 □ Ø 6.8 ± 0.2

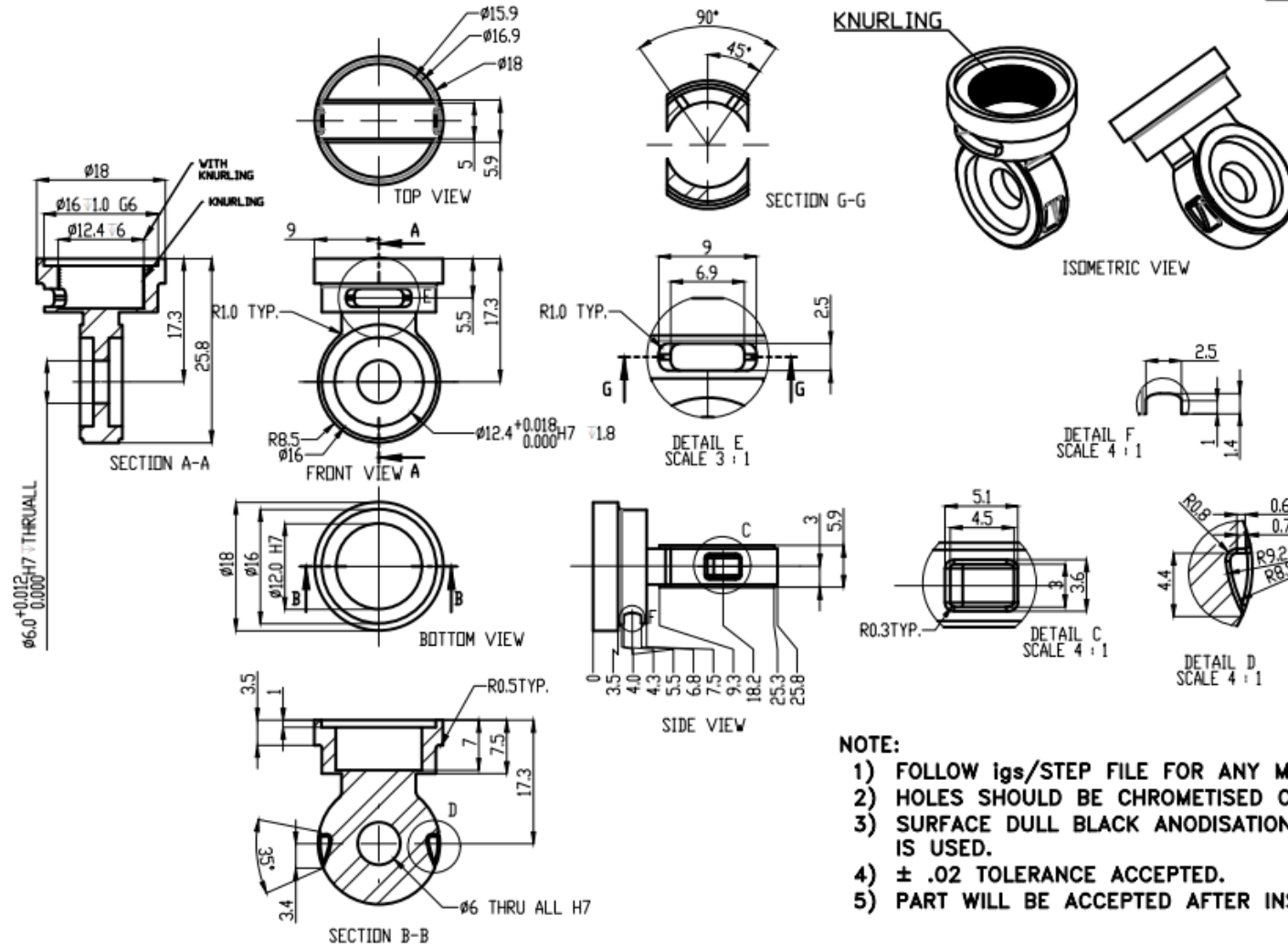
NOTE:

- 1) FOLLOW igs/STEP FILE FOR ANY MISSING DIMENSION.
- 2) HOLES SHOULD BE CHROMETISED ONLY.
- 3) SURFACE DULL BLACK ANODISATION WHEN AL ALLOY IS USED.
- 4) ± .02 TOLERANCE ACCEPTED.
- 5) PART WILL BE ACCEPTED AFTER INSPECTION.

\*(CRITICAL FOR INSTALLATION PURPOSE)

MECHANICAL PART-9 ((Material Aluminium: 6061T6))

IF IN DOUBT ASK



**NOTE:**

- 1) FOLLOW igs/STEP FILE FOR ANY MISSING DIMENSION.
- 2) HOLES SHOULD BE CHROMETISED ONLY.
- 3) SURFACE DULL BLACK ANODISATION WHEN AL ALLOY IS USED.
- 4) ± .02 TOLERANCE ACCEPTED.
- 5) PART WILL BE ACCEPTED AFTER INSPECTION.

\*(CRITICAL FOR INSTALLATION PURPOSE)

MECHANICAL PART-10 (st steel 304)

