

Date : 23/01/2023

## **Call for Quotation**

**Subject:** Call for Expression of Interest (Eoi) /quotation for the purchase of items as listed below

Ref No : CSIO/IMCS/HCP0034/2023-24/2C007

It is informed that the following items are proposed to be purchased. Interested parties are requested to submit the quotation through email/hard copy to the undersigned within five days from the date of publishing of the notice.

Items/Goods/Job work required

S.No	Description of the items/Goods	Quantity
01	Customised chasis for Atomic Force Microscpe (Material: Aluminium, Drawings attached)	01

**Note :**

Soft copy of drawings and CAD model will be provided on request through email.

**Terms and Conditions:**

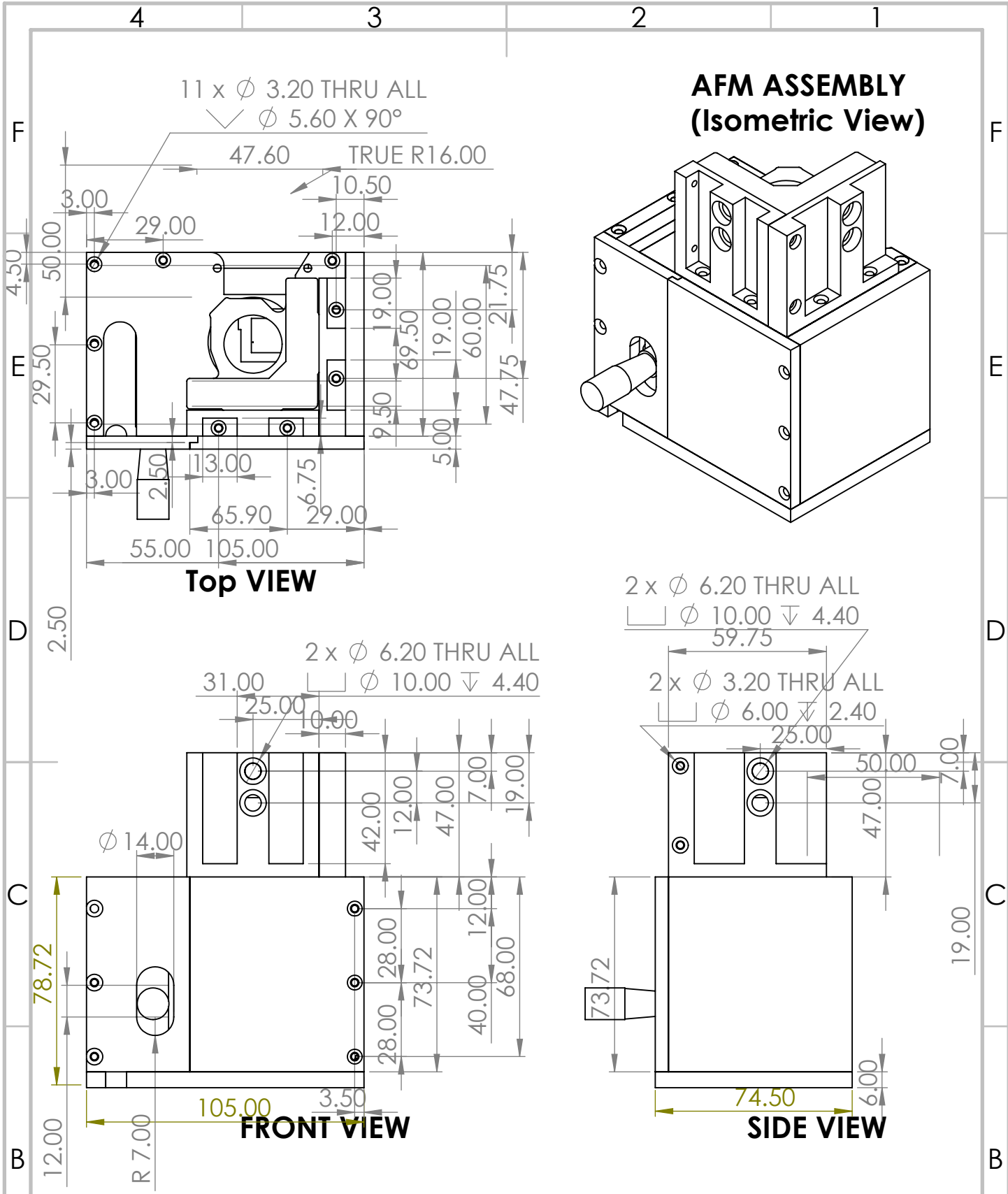
- Delivery: For CSIR-CSIO, Chandigarh.
- Price should be in INR and should include tax and delivery charges
- Lead time/delivery time: 4-6 weeks
- Payment: After delivery and successful inspection



(Vikash Chandra)

Scientist & Project Leader

9878339257; [vikash.chandra@csio.res.in](mailto:vikash.chandra@csio.res.in)



UNLESS OTHERWISE SPECIFIED:  
 DIMENSIONS ARE IN MILLIMETERS  
 SURFACE FINISH:  
 TOLERANCES:  
 LINEAR:  
 ANGULAR:

FINISH:

DEBURR AND  
 BREAK SHARP  
 EDGES

DO NOT SCALE DRAWING

REVISION

	NAME	SIGNATURE	DATE
DRAWN			
CHK'D			
APPV'D			
MFG			
Q.A			



CSIR CSIO CHANDIGARH

MATERIAL:

WEIGHT:

TITLE:

MFM ASSEMBLY

DWG NO.

ASSEMBLY FULL S

A4

SCALE:1:2

SHEET 1 OF 1