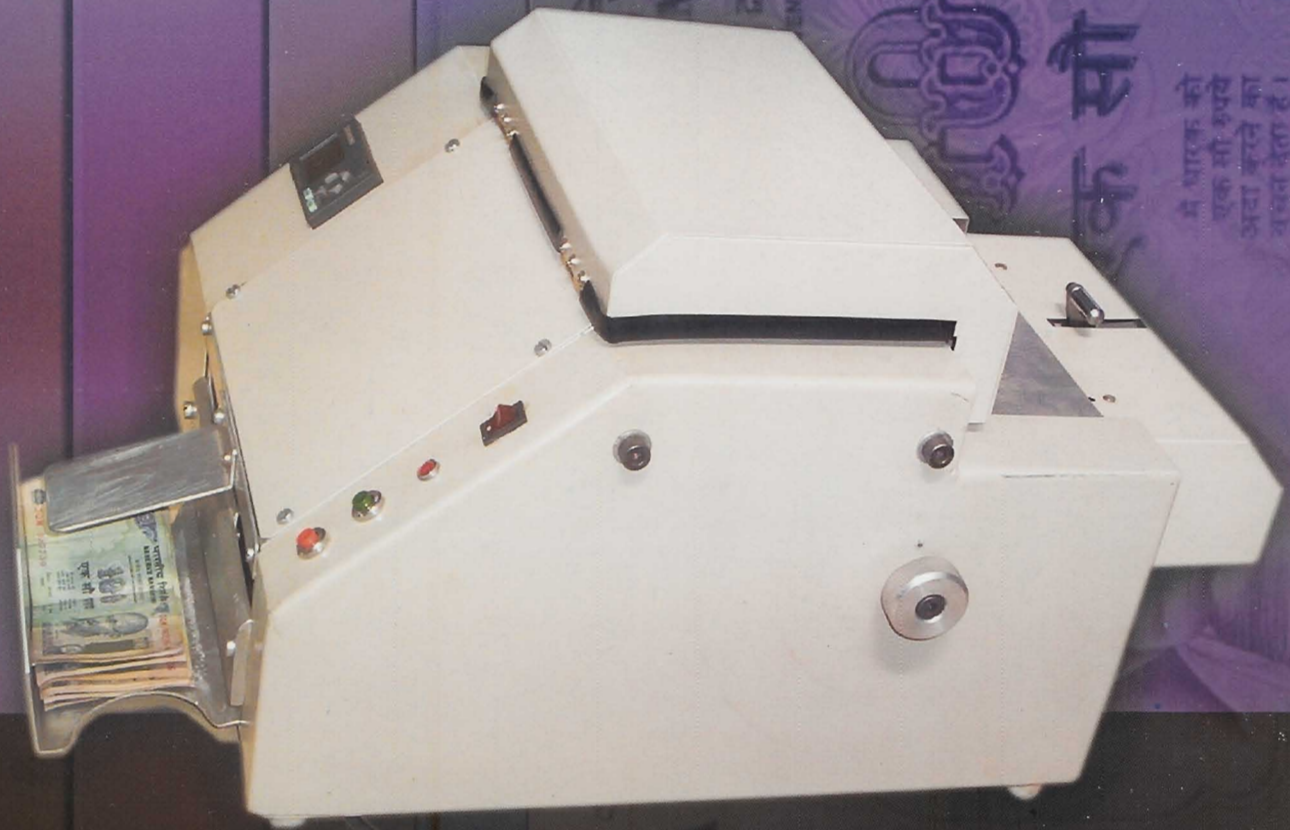


AUTOMATIC COUNTERFEIT CURRENCY DETECTOR



Sponsoring Agency

DEPARTMENT OF INFORMATION TECHNOLOGY
MINISTRY OF COMMUNICATIONS AND INFORMATION
TECHNOLOGY, GOVT. OF INDIA

Designed & Developed at



CENTRAL SCIENTIFIC INSTRUMENTS ORGANISATION
SECTOR-30 C, CHANDIGARH-160030 (INDIA)

An automatic counterfeit currency detector machine that dynamically senses spectral reflectance of currency notes and distinguishes between the genuine and fake notes under Ultra Violet (UV) illumination during counting. It accepts all Indian notes presently under circulation with the corresponding spectral signature. Various series and denominations are already programmed and further upgradation to new security features and foreign currencies is provided. A stack of loose notes is kept in a holder and a counting is initiated. Other features such as batch counting, denomination and sensitivity are programmable. During counting, authentication would be performed and in case of a fake note, machine would be stopped and audio alarm would alert the operator

Unique Design: The unique and patented technique provides an indigenous design of the machine specially designed for Indian notes, which are many a times are highly soiled.

Ultra Violet Authentication: The reflectance and transmission spectrum provide unique signature under UV and NIR region that identifies a fake note. During the process of inspection the machine automatically alerts the user by sounding an alarm and displaying "Fake" if the note under test is not a genuine note.

Start/Stop: During counting and inspection when a fake note is detected, the machine automatically stops and alarms the user. The user may resume the counting and inspection after required intervention.

Audio/visual Indication: An audio/visual alarm provides information and the machine halts at a fake note asking for human intervention.

Variable Sensitivity: The user can check a note at varied sensitivity depending upon the denomination and other conditions.

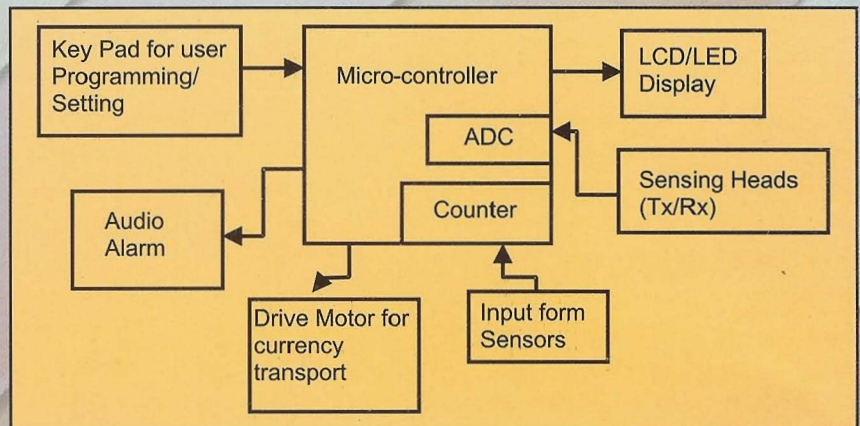
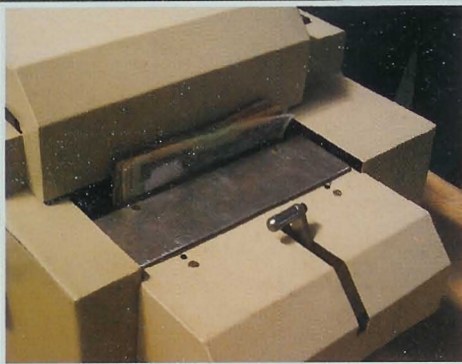
Accuracy: The machine is highly accurate and gives consistent and correct readings for fake and genuine notes.

Self Diagnostics: The machine follows a detailed power-on diagnostics and maintains a run-time diagnosis verifying the functioning of critical components.

Upgradeable to New/Foreign Currency: The instrument has been designed to upgrade to new Indian and major International currency. Also, with adequate security, it may hold data related to selected currency(ies) only.

Specifications:

Type of input currency notes	: Loose, (may be soiled)
Thickness of notes	: Indian notes
Dimensions of notes	: Indian notes
Maximum no. of notes at the input stacker	: 300-400
Transport mechanism	: Friction
Counting Speed (variable)	: 600-1000 notes per minute
Provision for Integration	: With Sensing-Module
Control Approach	: PLC/Microcontroller
Display	: Bright LCD
Counting Control	: User Programmable
Control Signals	: Fake Sensing Module
Batch Setting	: 1-999
Power Source	: AC 220-240V
Upgradation:	: Newer security features/Foreign Currencies



Please Contact for Your Requirements:

DIRECTOR

CENTRAL SCIENTIFIC INSTRUMENTS ORGANISATION

SECTOR-30 C, CHANDIGARH-160030

Tel: 0172-2657190, 2637994 Fax: 0172-2657272/2637994

Web: www.csio.org e-mail: bdg@csio.org